

**Receiver**

 Society  
 Reference  
 Address  
 Phone  
 Fax  
 E-mail

**From**

 -  
 -

**Item n° :**

505806041

**Model :**

A 80/180 XM

**Pump data**

Pressure rating : 10 bar (1000 KPa)

Min. fluid temperature : -10 °C

Max. fluid temperature : 110 °C

**Minimum suction head :**

Temperature °C 90

Minimum suction head : m 2.5

**Requested data**

Flow : 0.00 l/min

Head : 0.00 m

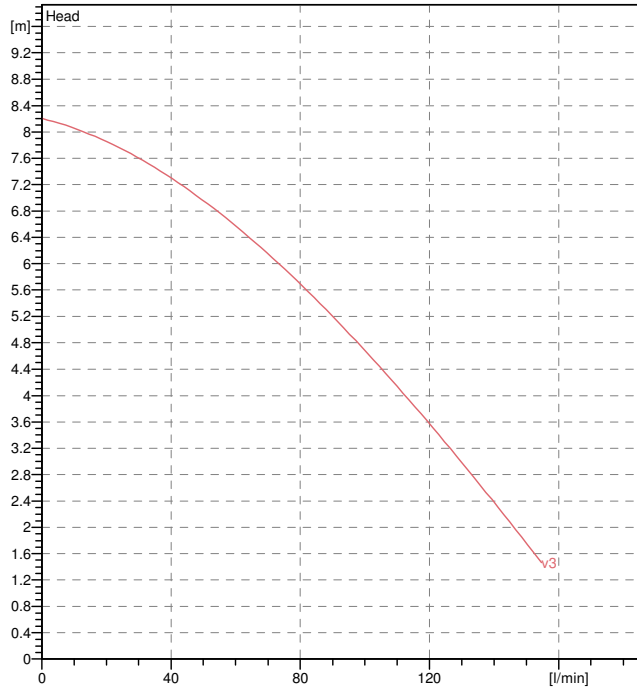
Fluid (%) : Water

Fluid Temperature : 20 °C

Density : 62.315 lb/ft³

Kinematic viscosity : 1.0769E-5 ft²/s

Vapor pressure : 2.20 kPa

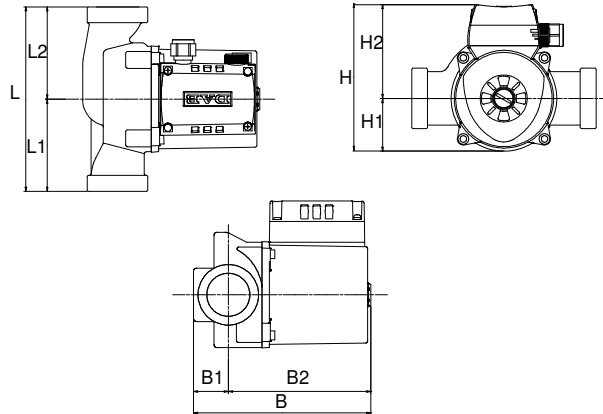
**Curve tolerance according to ISO 9906**

**Hydraulic data (duty point)**

Flow :

Head :

**Materials**

Pump body	Cast iron
Impeller	Technopolymer
Motor shaft	Stainless steel
Air vent plug	Brass
Seal ring	Etylene propylene
Motor casing	Die cast aluminium
Stator jacket	Stainless steel


**Motor data**

Motor brand : DAB

Power input P1 : 0.256 kW

Rated speed : 2683 rpm

Rated voltage : 1~ 230 V 50 Hz

Nominal current : 1.12 A

Degree of protection : IP 44

**Dimensions in mm**

B	173	H	143	L1	90		
B1	34	H1	52	L2	90		
B2	139	H2	92				
F	2"G	L	180				

**Weight :** 10.582 lb

**Pump connection**

 Suction side : 2" / 10 bar (1000 KPa)  
 Discharge side : 2" / 10 bar (1000 KPa)



WATER • TECHNOLOGY

# PERFORMANCE CURVES

2017-07-04

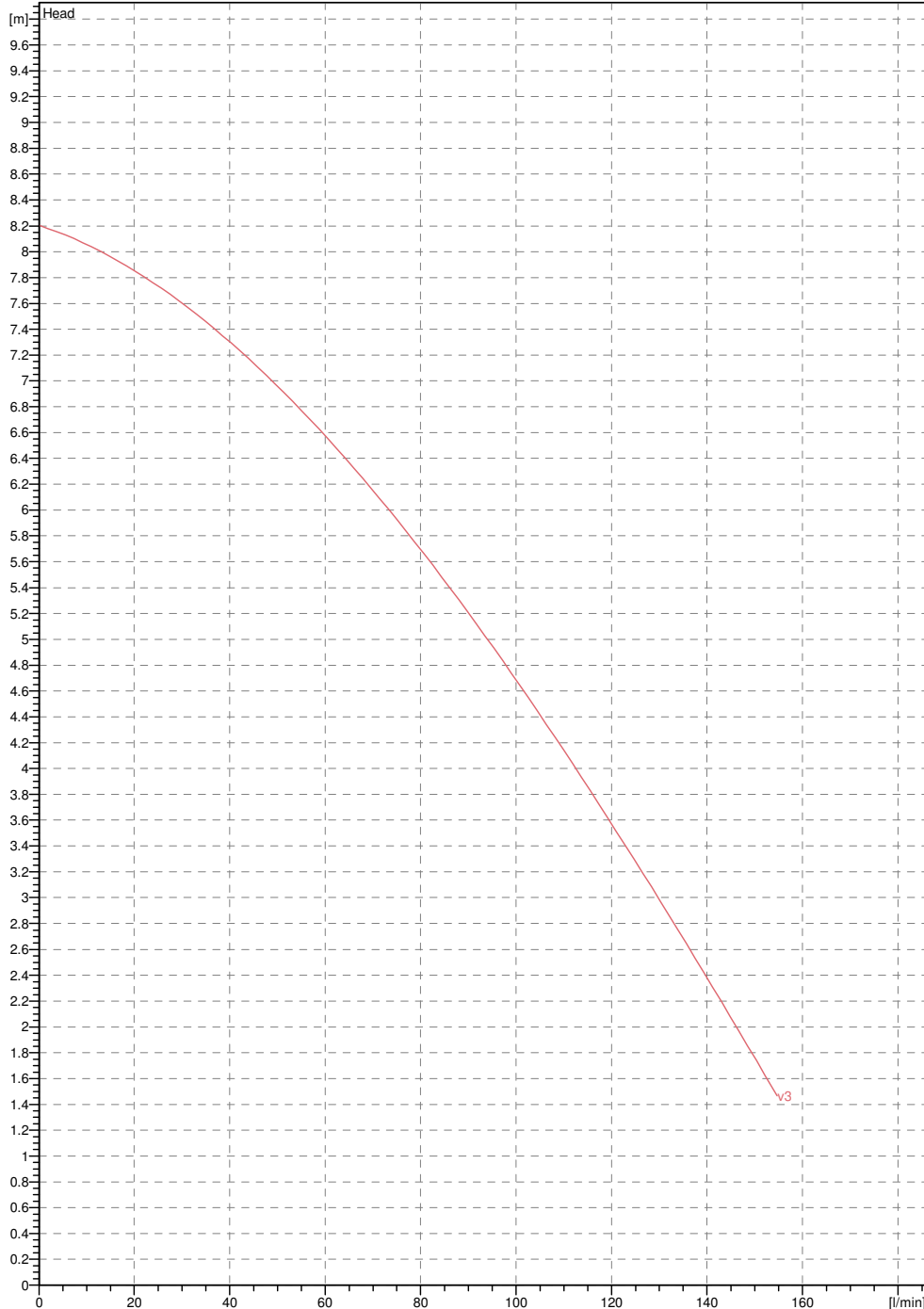
Page 4 / 5

DAB PUMPS S.p.A.  
Via Marco Polo, 14 - 35035 Mestrino (PD), Italy  
Tel. +39 049 5125000 - Fax +39 049 5125950  
www.dabpumps.com

Society Reference Address Phone Fax E-mail	Receiver	From
		- - -

## A 80/180 XM

Curve tolerance according to ISO 9906



Hydraulic data (duty point)

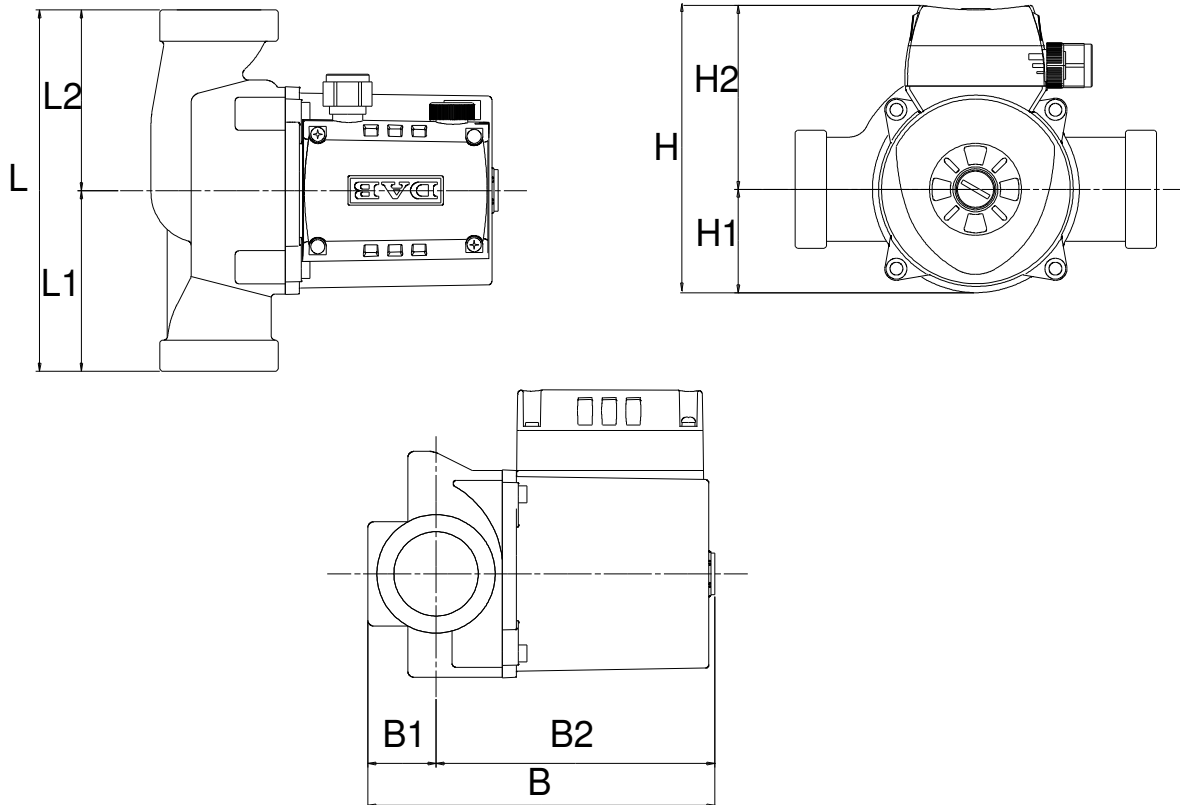
Suction side : 2" 10 bar (1000 KPa)	Discharge side : 2" 10 bar (1000 KPa)	Flow : 0 l/min	Head : 0 m	Rated speed : 2683 rpm
Project	Project ID	Created by	Created on <b>2017-07-04</b>	

**Receiver**
**From**

 Society  
 Reference  
 Address  
 Phone  
 Fax  
 E-mail

 -  
 -  
 -

## A 80/180 XM


**Dimensions in mm**

1	B	173				
2	B1	34				
3	B2	139				
4	F	2"G				
5	H	143				
6	H1	52				
7	H2	92				
8	L	180				
9	L1	90				
10	L2	90				

**Pump connection**

Suction  
 2"  
 10 bar (1000 KPa)

Discharge  
 2"  
 10 bar (1000 KPa)

Project

Project ID

Created by

Created on

**2017-07-04**